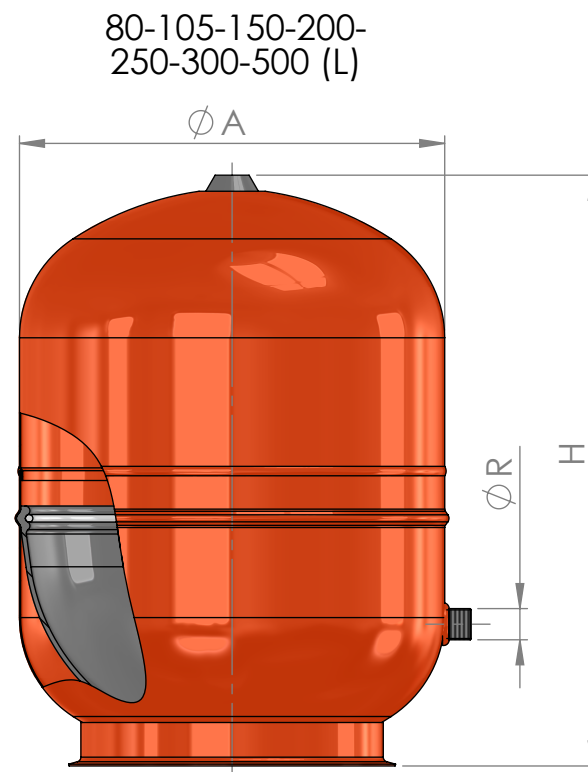
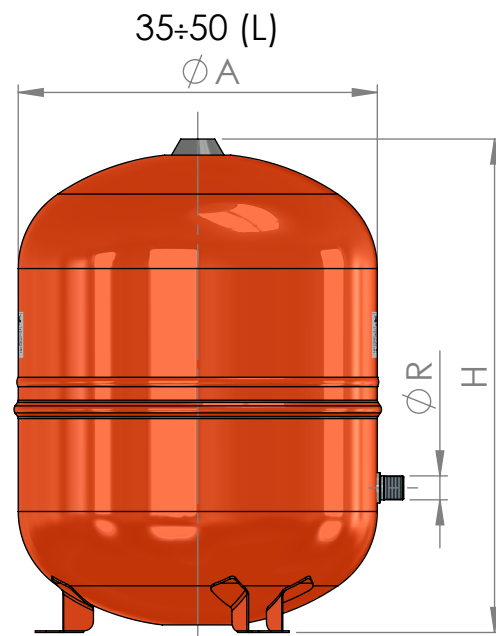
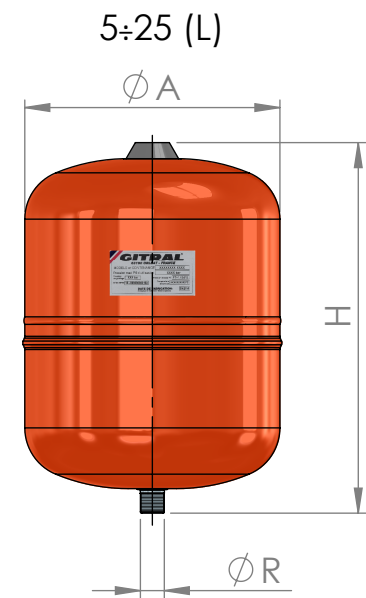


**GITRAL®**

**ZI DE BOURNAT F63190 ORLEAT**

This drawing is the property of company  
GITRAL S. A.  
All rights reserved.

**Technical drawing GITRASUN**



All dimension tolerances not indicated are  $\pm 2\%$  for length and  $\pm 3\text{mm}$  for diameter