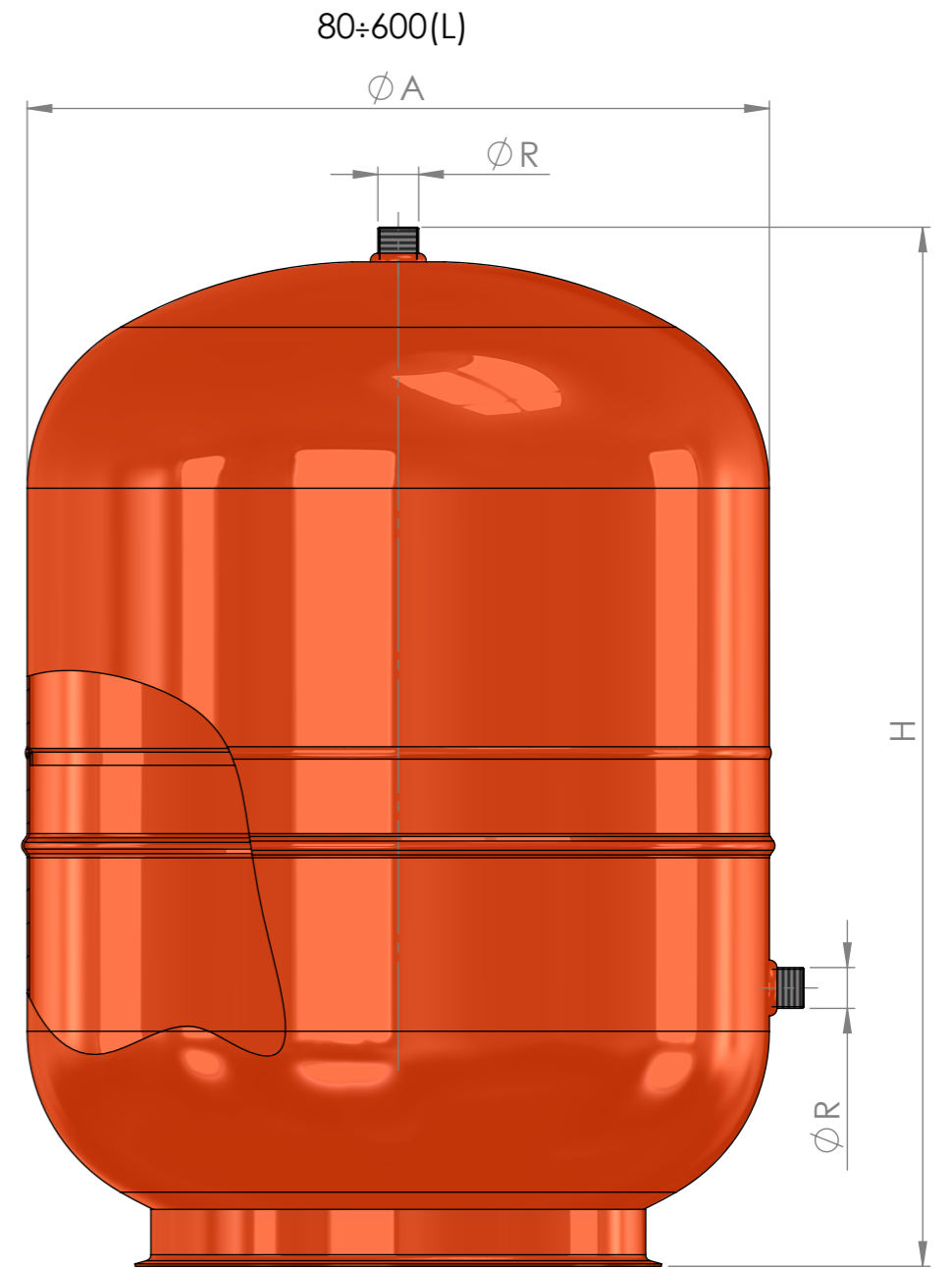
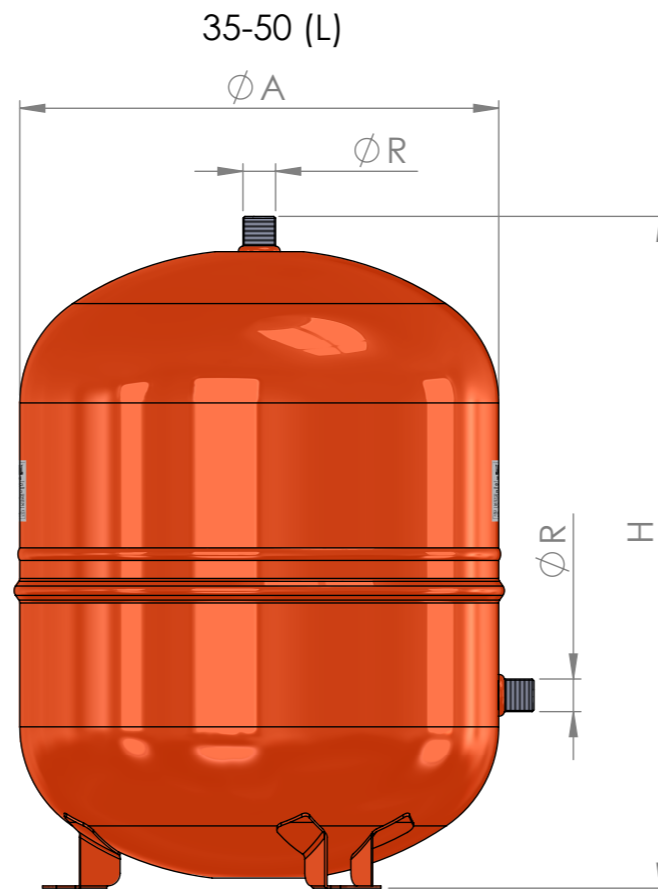
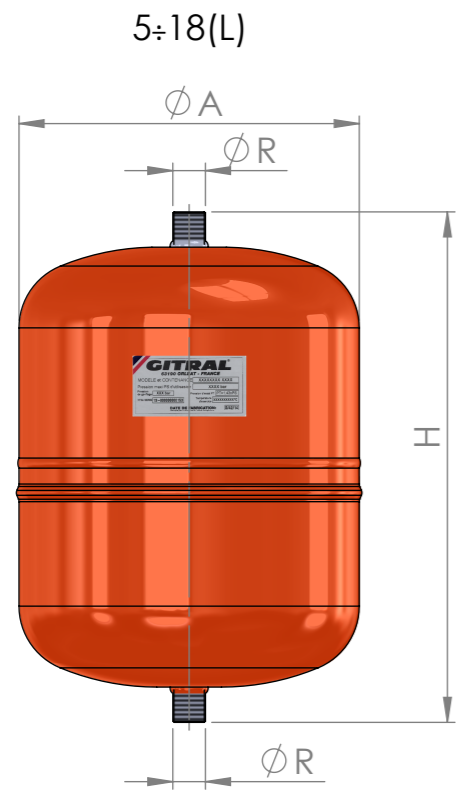


GITRAL®

ZI DE BOURNAT F63190 ORLEAT

This drawing is the property of company
GITRAL S. A.
All rights reserved.

Technical drawing GITRASUN ADD



All dimension tolerances not indicated are $\pm 2\%$ for length and $\pm 3\text{mm}$ for diameter