

GITRAL®

ZI DE BOURNAT F63190 ORLEAT

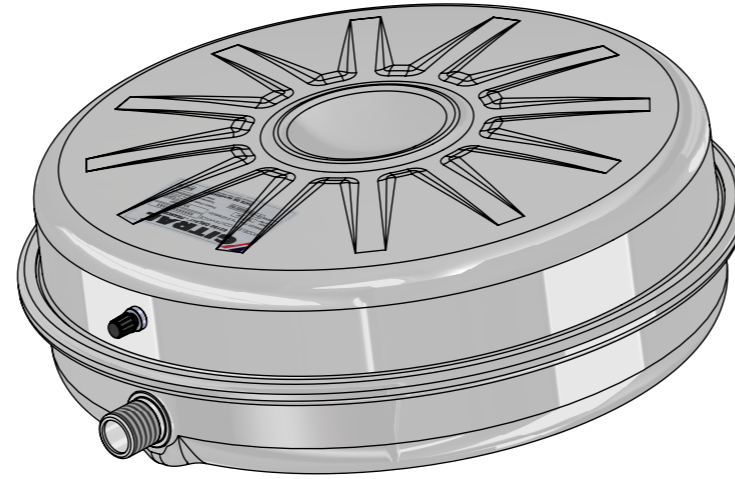
This drawing is the property of company
GITRAL S. A.
All rights reserved.

Technical drawing VPC

VPC A



VPC B



VPC N

